


**Applications**

- Office LED Lighting
- Industrial LED Lighting

**Features:**

- \* Universal AC Voltage(AC100-240V).
- \* Ultra small size.
- \* Protections: Over voltage / Over current / Load Short.
- \* Isolation switching mode power supply.
- \* Constant Voltage(+/- 10%).

**INPUT SPECIFICATION**

	Units	Minimum	Typical	Maximum	Notes
InputVoltageRange(Vin)	VAC	100		240	
InputFrequencyRange	HZ	50		60	
Power Factor(PF)			0.5		
Input Current	A	0.2A/115VAC 0.09A/230VAC			
Efficiency	%		80%		

**OUTPUT SPECIFICATION**

	Units	Minimum	Typical	Maximum	Notes
OutputVoltage(Vout)	Vdc		12		
Output Current(Iout)	mA		1000		
Out Current Range	%	-10%	5%	+10%	
Out Current Over Shoot	%		10%		

## PROTECTION FEATURES

Output Open Load, Over-Current and Short-Circuit Protection (hiccup).

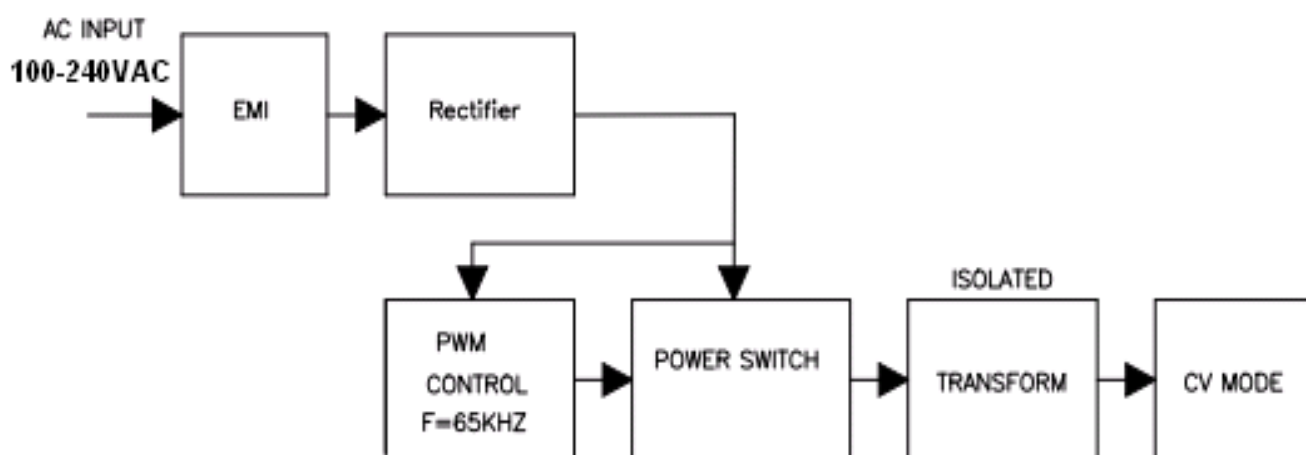
## ENVIRONMENTAL CONDITIONS

	Units	Minimum	Typical	Maximum	Notes
Operating Case Temperature (Tc)	°C	-20		+70	
Storage Temperature	°C	-30		+80	
Lifetime	50,000 hours at 70°C maximum case hot spot temperature				

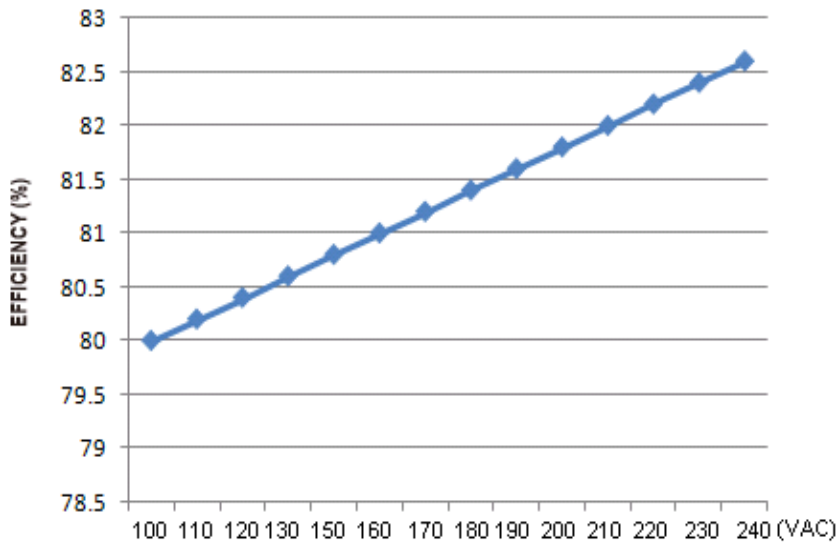
## EMC COMPLIANCE AND SAFETY APPROVALS

EMC Compliance					
Conducted and Radiated EMI	EN55015 FCC Part15				
Safety					
	Units	Minimum	Typical	Maximum	Notes
Hi Pot (High Potential)	Vdc		2750		Insulation between the input (AC line and Neutral) and the output

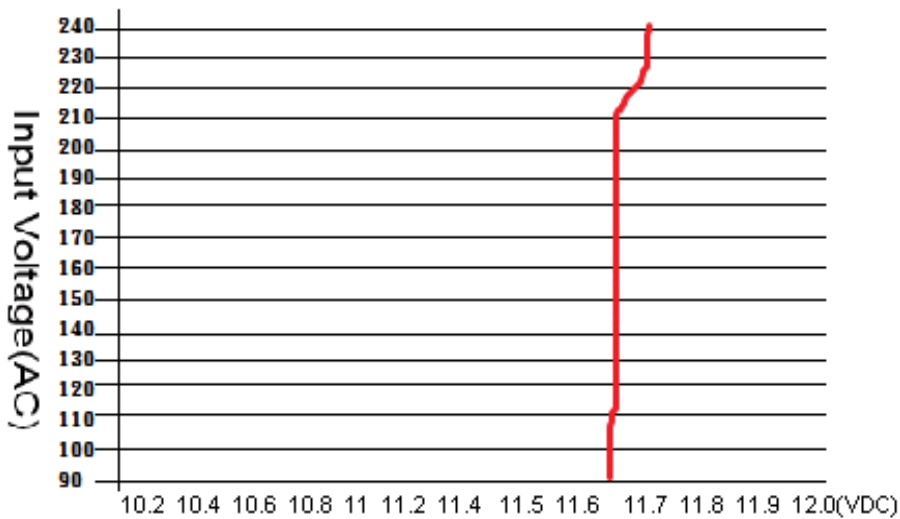
## Block diagram



**EFFICIENCY vs LOAD (12V Model)**



**Out Voltage VS Input Voltage**



LOAD 1000mA

**■ Mechanical Specification**

