
Applications

- Office LED Lighting
- Industrial LED Lighting

Features:

- * Universal AC Voltage(AC100-240V).
- * Ultra small size.
- * Power Factor Correction(0.9 Typical).
- * Protections: Over voltage / Over current / Load Short.
- * Isolation switching mode power supply.
- * Constant Voltage(+/- 10%).

INPUT SPECIFICATION

	Units	Minimum	Typical	Maximum	Notes
InputVoltageRange(Vin)	VAC	100		240	
InputFrequencyRange	HZ	50		60	
Power Factor(PF)			0.9		
Input Current	A	0.13A/115VAC 0.09A/230VAC			
Inrush Current	A	40A peak		At any point on the sine wave and 25°C	
Total Harmonics Distortion (THD)	%		20		
Efficiency	%		80		

OUTPUT SPECIFICATION

	Units	Minimum	Typical	Maximum	Notes
OutputVoltage(Vout)	Vdc		12		
Output Current(Iout)	mA		1.5A		
Out Voltage Range	%	-10%	5%	+10%	
Out Current Over Shoot	%		10%		

PROTECTION FEATURES

Output Open Load, Over-Current and Short-Circuit Protection(hiccup).

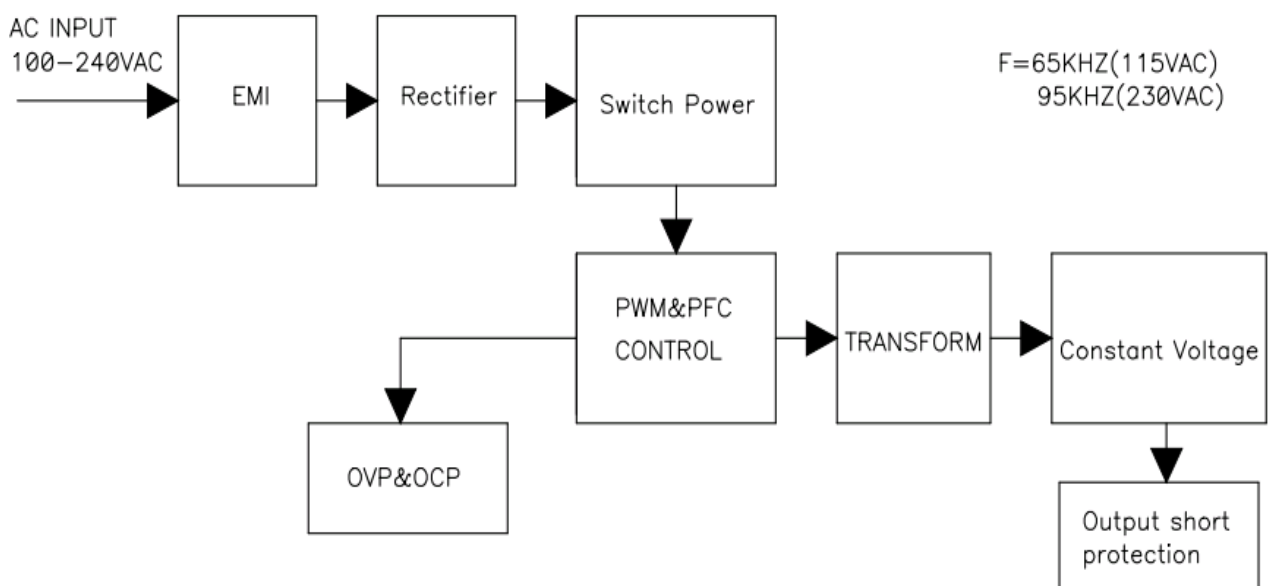
ENVIRONMENTAL CONDITIONS

	Units	Minimum	Typical	Maximum	Notes
Operating Case Temperature(Tc)	°C	-20		+70	
Storage Temperature	°C	-30		+80	
Lifetime	50,000hours at 70°C maximum case hot spot temperature				

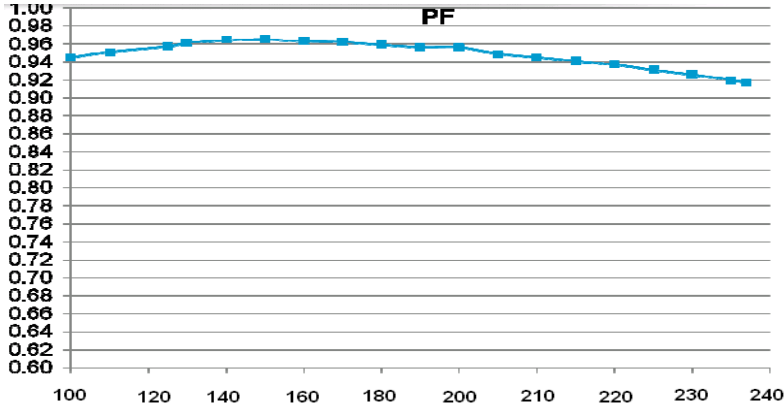
EMC COMPLIANCE AND SAFETY APPROVALS

EMC Compliance					
Conducted and Radiated EMI	EN55015				
Safety					
	Units	Minimum	Typical	Maximum	Notes
Hi Pot (High Potential)	Vdc		2750		Insulation between the input (AC line and Neutral) and the output

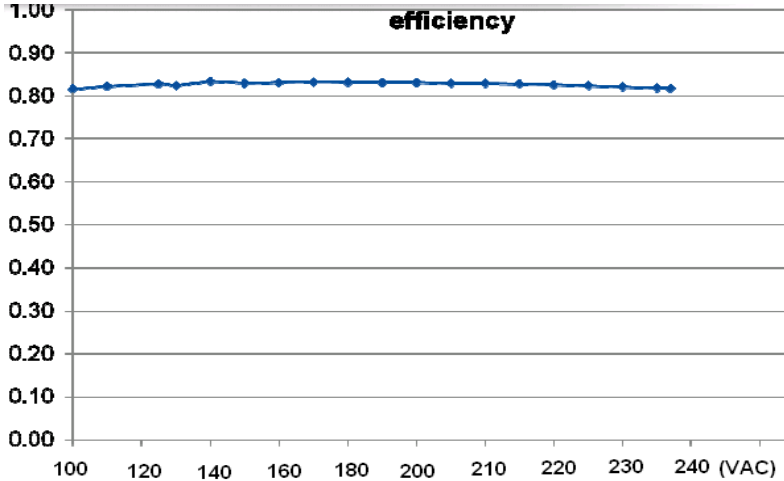
Block diagram



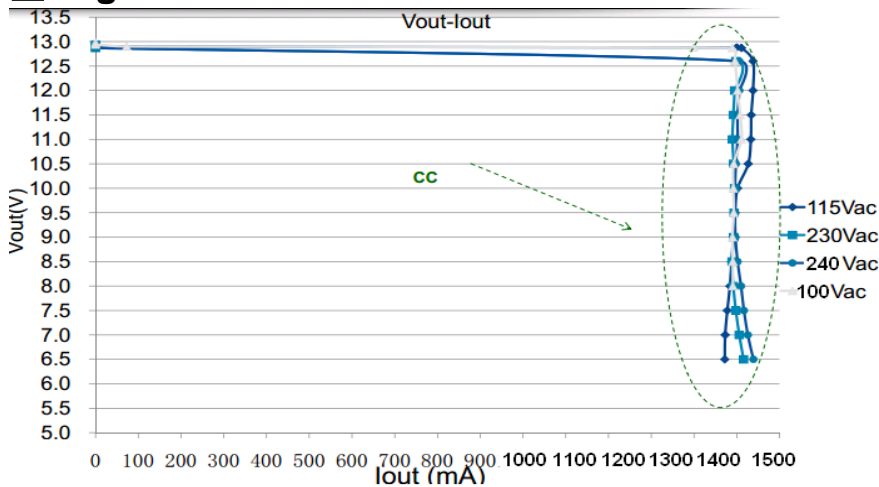
Power Factor Characteristic



EFFICIENCY VS LOAD (12V Model)



Regulation Vout-Iout Measurement



■ Mechanical Specification

